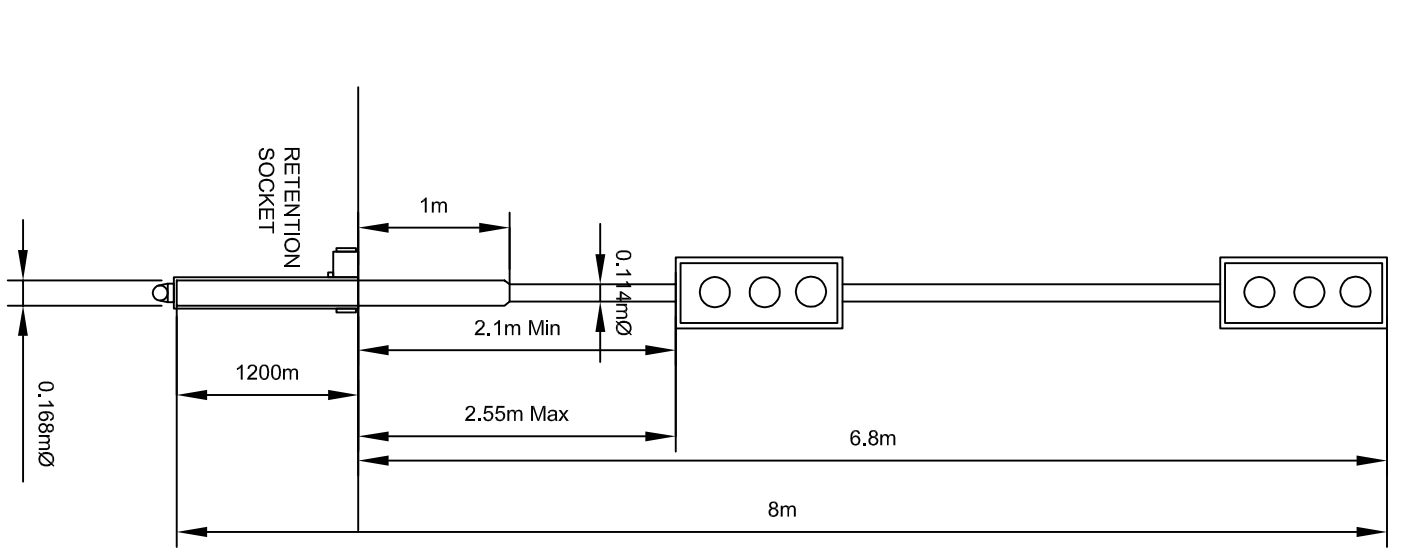
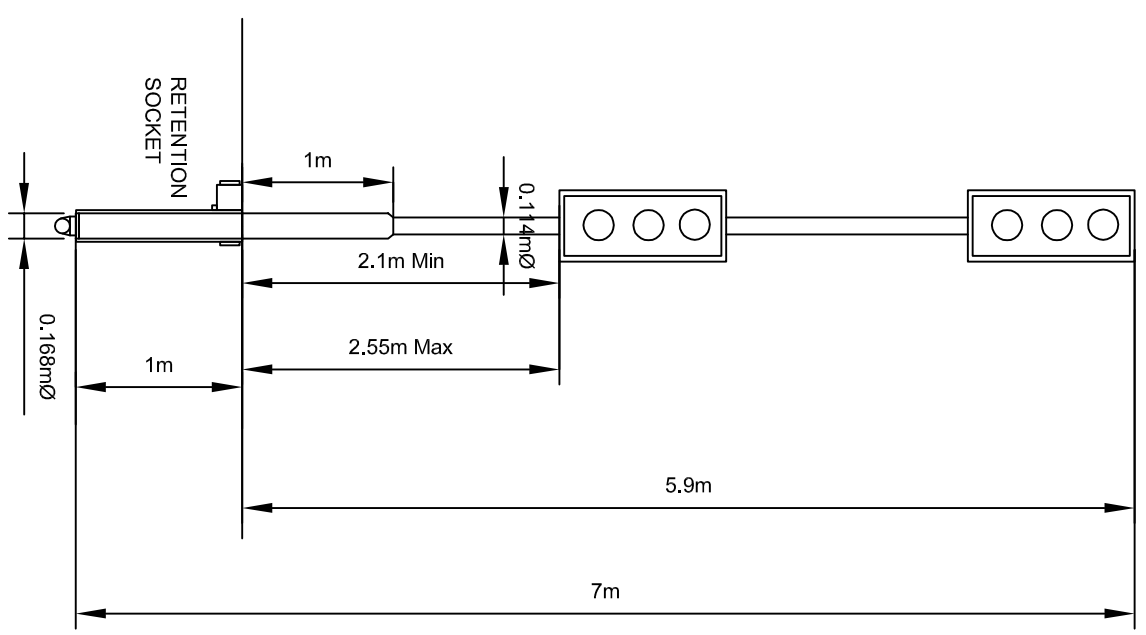
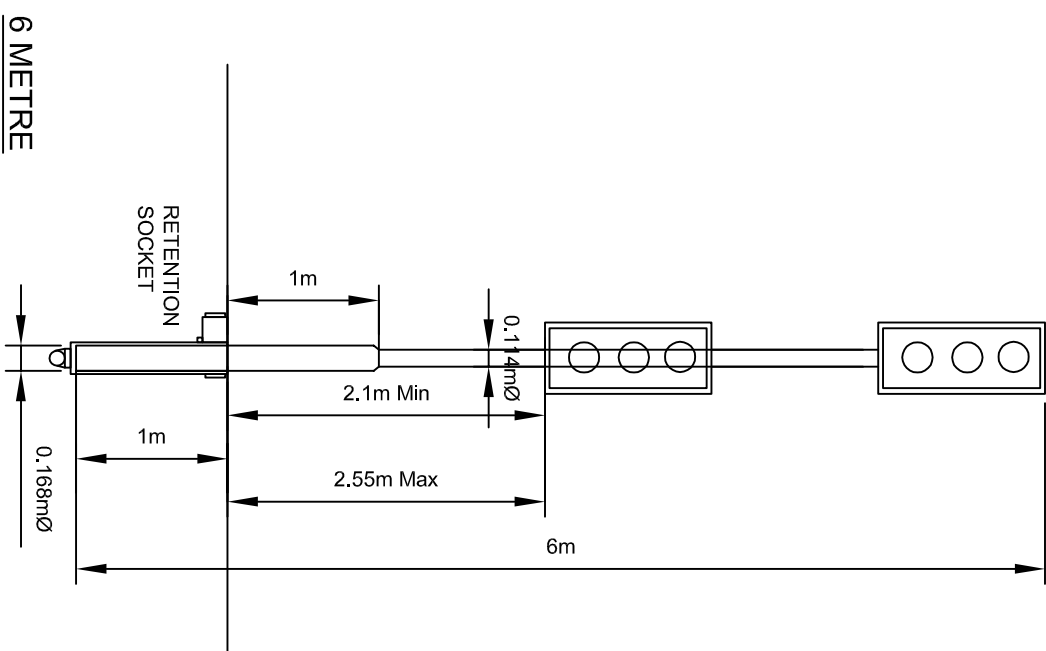
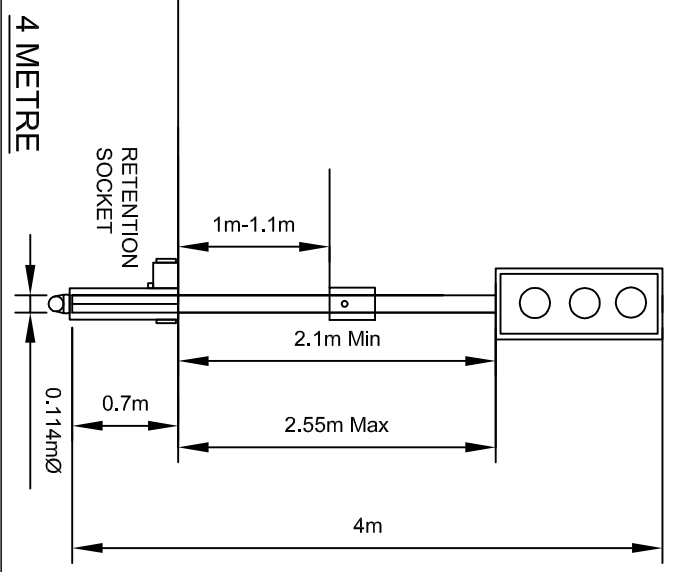
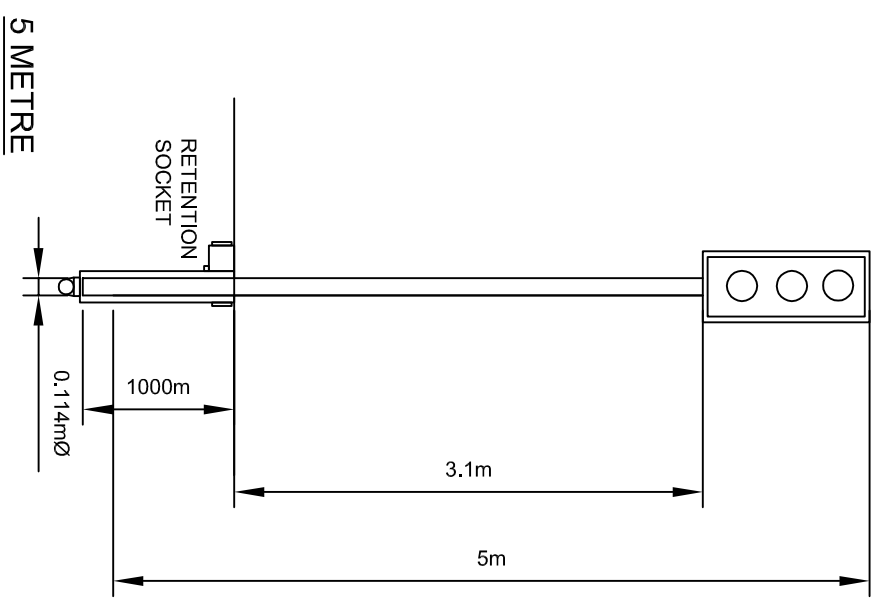
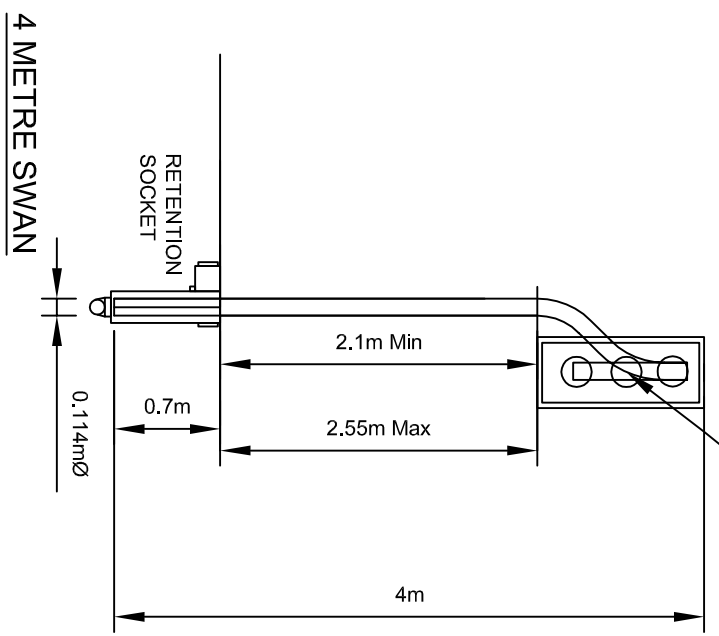


Appropriate bracket required to lower the signal head to correspond to the mounting height of the signal head of a 4m straight pole



- Notes :-
1. Access doors on wide base poles must not face the carriageway.
 2. Before holes are drilled for pedestrian push button units Appendix 12/5 must be referred to.
 3. Refer to HW/12.61 for retention socket details



STANDARD DETAIL SHEETS



4, 5, 6, 7 AND 8M
POLE MEASUREMENTS
AND PLANTING DEPTHS

This detail is controlled by Birmingham City Council. Email - Transport.Projects@Birmingham.gov.uk

DATE	2013	REV.	A	DETAILS & FRAME AMENDED	DH	PP
DATE	2000	REV.	-	ORIGINAL DRAWING CREATED	DH	AJC
DESIGNER	DH	TE	PP	REVISIONS	DRN	PPM
SCALE	GENERAL	SCALE	NTS	REVISION	PP	A
DWG. NO	HW/12.63	SCALE	NTS	REVISION	PP	A