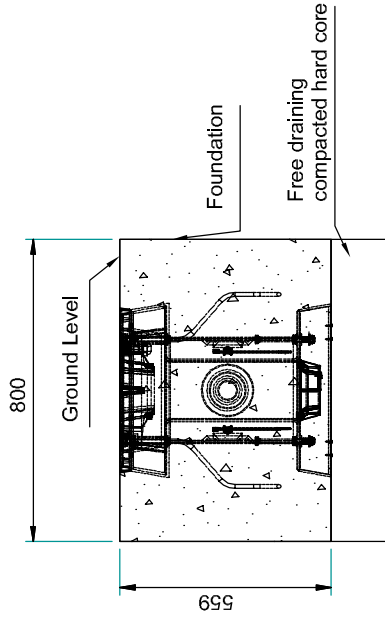


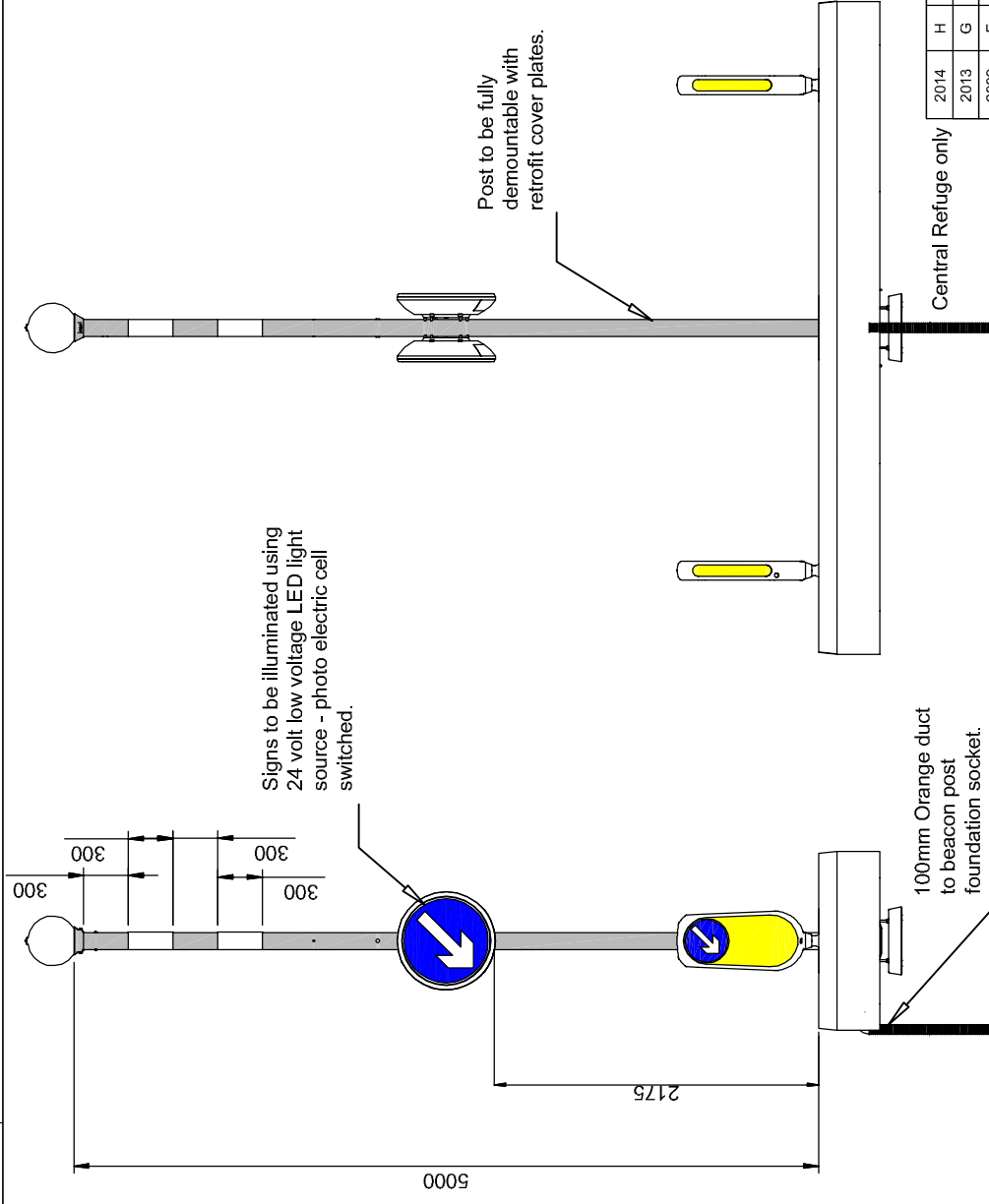
TYPICAL REBOUNDABLE BOLLARD DETAIL

Centre Island Marker Beacons  
Additional requirements :-

- a. Beacon luminaire lamp to be LED 24 volt.
- b. Internal wiring & labels to be compliant with drawing BCC Standard Detail drawing HW/14.15.
- c. Beacon luminaire to be switched from the traffic sign lighting photo electric cell.
- d. Beacon post to be  $\phi$ 114.00mm aluminium & fully demountable from foundation socket.
- e. The white bands at the top of the beacon post shaft are to be class 1 reflective.
- f. Foundation to be compliant with the column manufacturer's installation specification.



TYPICAL DEMOUNTABLE BASE FOUNDATION DETAIL



Notes :-

- 1. All dimensions are in millimetres.
- 2. Flexible marker sign aspect as described on the scheme drawings.
- 3. Insitu concrete to be continued to ground level in verge condition, Finish U2.
- 4. Reinstatement of footways and paved areas are described in Appendix 07.
- 5. The exact position of the flexible marker will be determined on site.
- 6. A minimum setback of 500 is required from bollard face to traffic face of kerb in all directions.
- 7. To be read in conjunction with Standard Detail Sheets HW/11.08 & HW/11.09.
- 8. Unlit bollards with TSRGD diagram 610 'keep left arrow' face must be used in conjunction with hat pin.

SCHEME

Birmingham City Council

STANDARD DETAIL SHEETS



DRAWING  
STANDARD REFUGE AND  
PEDESTRIAN ISLAND DETAIL  
PASSIVE SAFETY VERSION

DATE	REV.	REVISIONS	DESIGNER	PM	REVISION	DRN	IPM
2014	H	DETAILS AMENDED	TE	PP	H		
2013	G	DETAILS & FRAME AMENDED					
2009	F	DETAILS & NOTES AMENDED					
2009	E	DETAILS & NOTES AMENDED					
2008	D	DETAILS & NOTES AMENDED					
2007	C	NOTES AMENDED					
2007	B	DETAILS & NOTES AMENDED					
2007	A	DETAILS & NOTES AMENDED					
2007	-	ORIGINAL DRAWING CREATED					