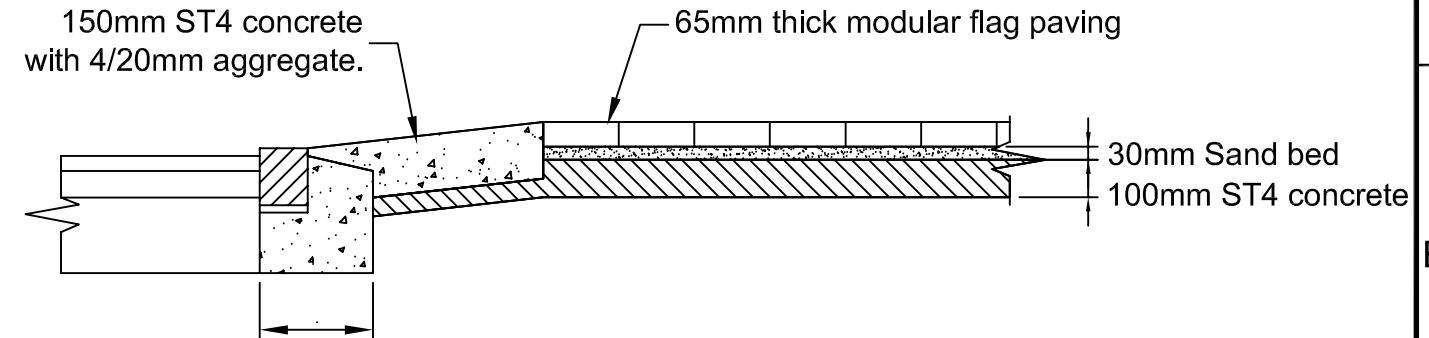
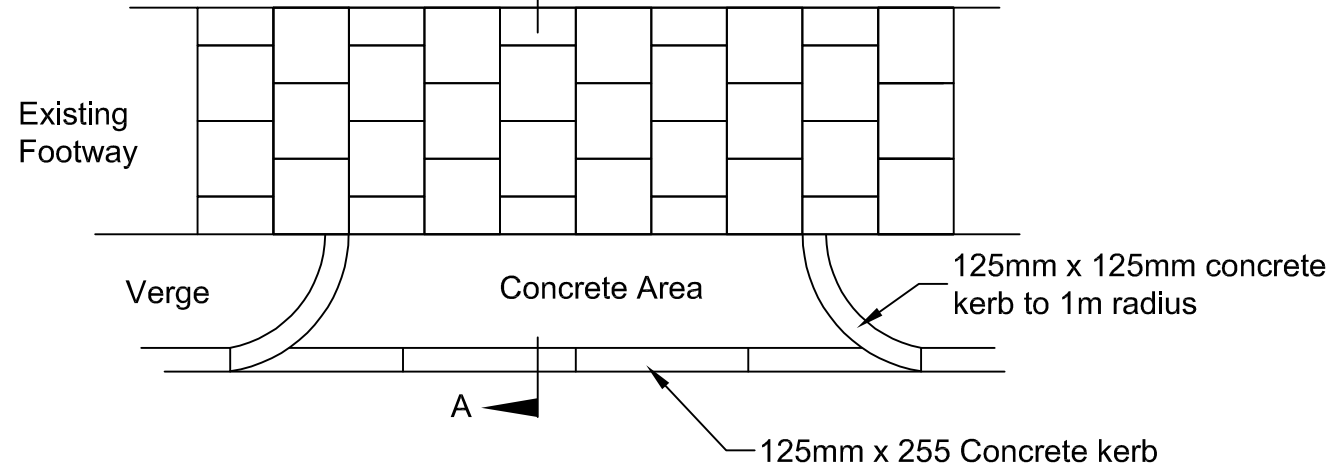


FILE PATH - X:\ACAD\dwg\lce\Standard Detail Drawings\Current\Series 1100\dwg\HW-11.58 Rev E Concrete Apron Crossovers.dwg

1 2 3 4 5 6 7 8

A

A

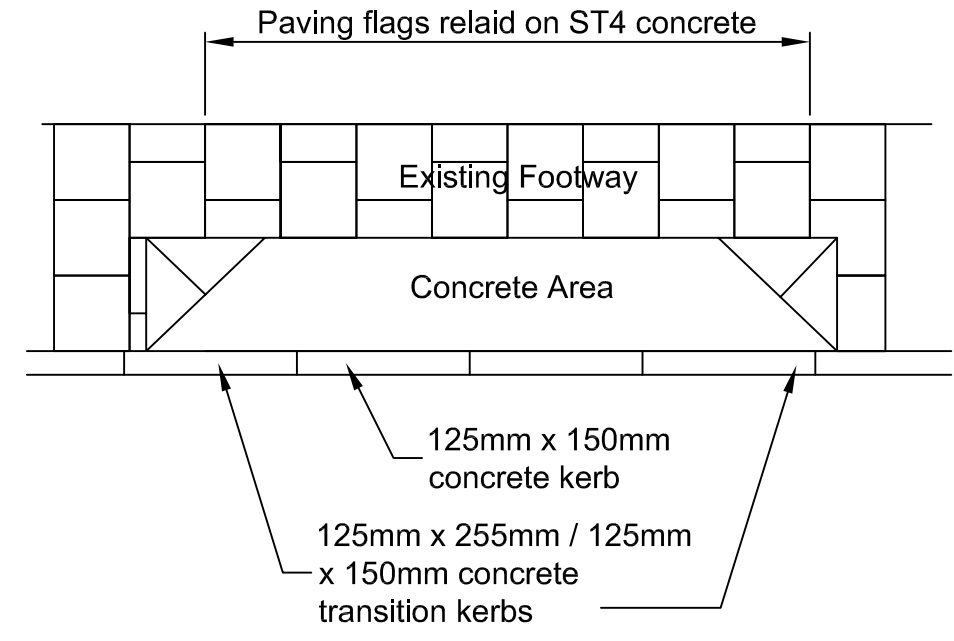
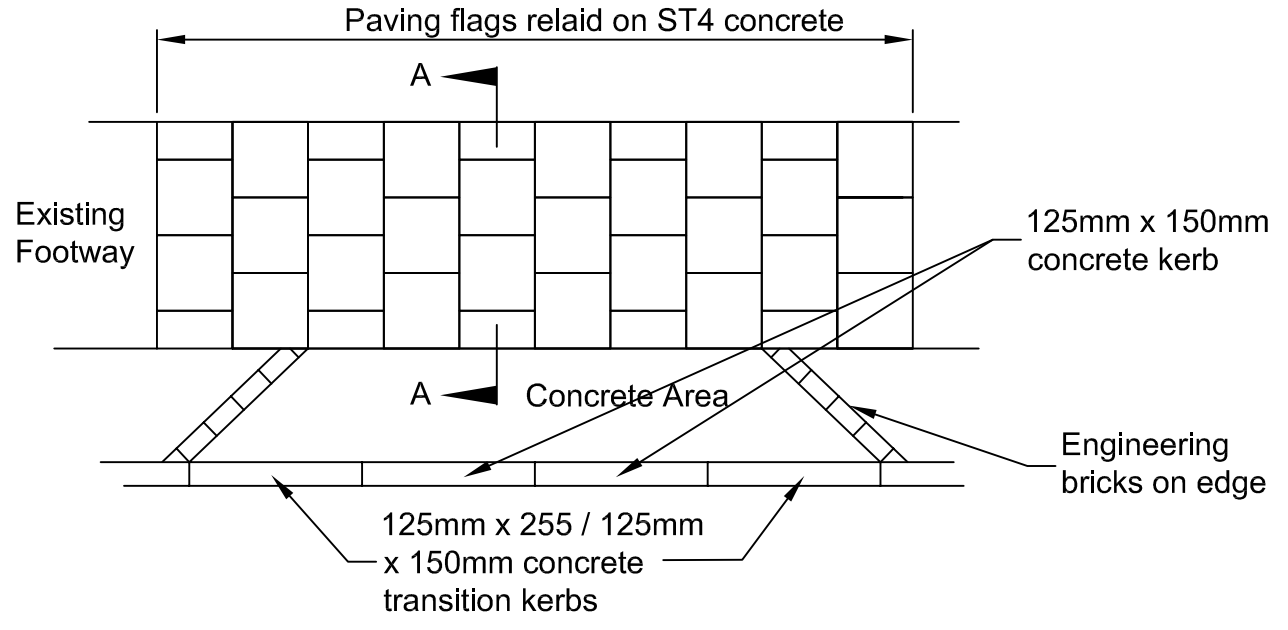


TYPE 1

SECTION A-A

C

C



TYPE 2

TYPE 3

- Notes :-
- 50mm x 150mm edging to light duty crossing.
  - Where instructed, the concrete area is to be replaced with 25mm bitumen surface course, 75mm bitumen binder course, and 100mm Type 1 sub-base.



SCHEME  
STANDARD DETAIL SHEETS

DRAWING  
CONCRETE APRON CROSSOVER

2018	E	REFERENCES ADDED	DAM	DAM
2013	D	DETAILS & FRAME AMENDED	DH	PP
2010	C	DETAILS AMENDED	-	AJC
2004	B	NOTES AMENDED	-	AJC
2002	A	BORDER & TITLE AMENDED	-	AJC
2000	-	ORIGINAL DRAWING CREATED	SRE	AJC
DATE	REV.	REVISIONS	DRN	PM
DRAWN	DESIGNER	PM	REVISION	
DH	TE	PP	E	
DRAWING STATUS				SCALE
GENERAL				NTS
DWG. No				
HW/11.58				

This detail is controlled by Birmingham City Council. Email - Transport.Projects@Birmingham.gov.uk

100mm  
50mm  
40mm  
30mm  
20mm  
10mm  
0mm

A3

1 2 3 4 5 6 7 8

F

F