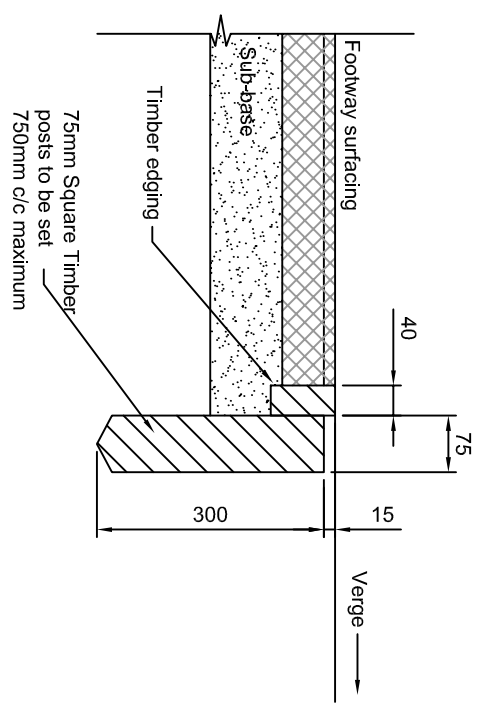
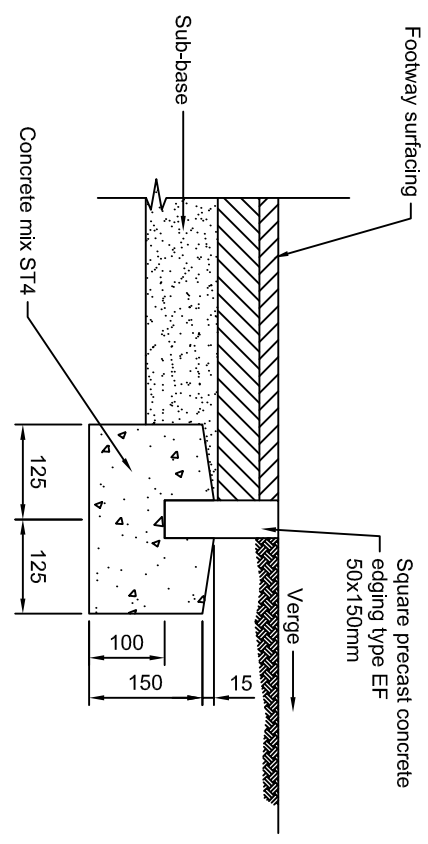


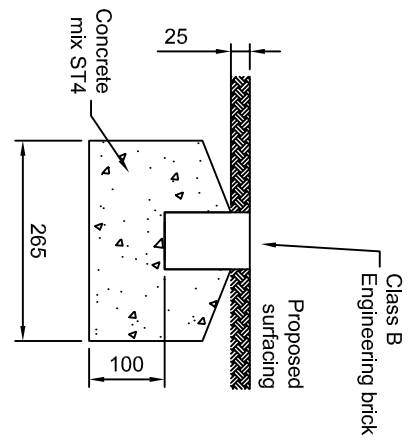
TYPE EBN
BULLNOSE FOOTWAY EDGING



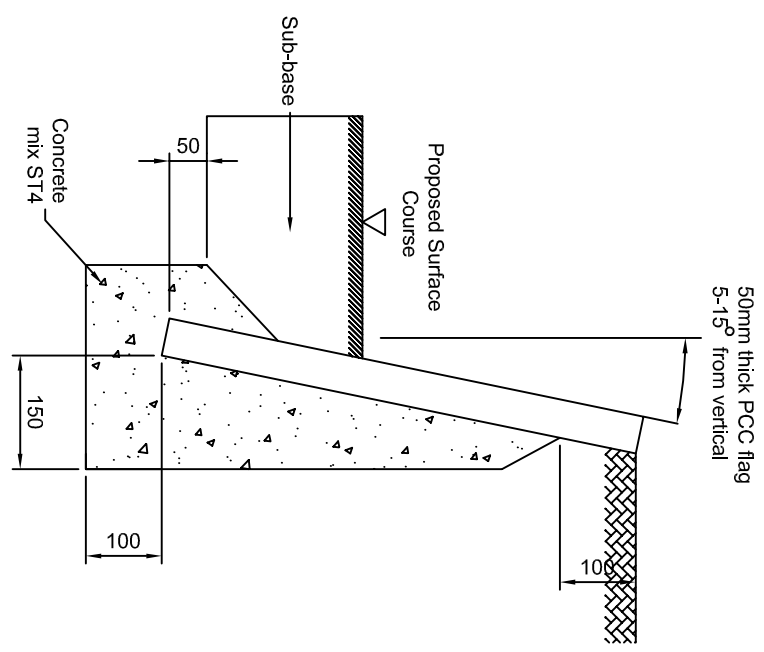
TYPE 2
TIMBER EDGING



TYPE EF
SQUARE FOOTWAY EDGING



BRICK LAID AS EDGING



PAVING FLAG RETAINING STRUCTURE

- Notes :-
1. Concrete kerbs to be to BS EN 1340.
 2. Concrete edgings are to be laid on ST4 concrete bed and backing.
 3. All dimensions in mm.

- Additional notes for timber edging:
4. Radii of 12m or less shall be formed from edging of appropriate lengths supported by the posts spaced as necessary to give a true curve.
 5. Maximum deviation of line and level shall be 3mm.
 6. Timber and treatment Clause 304 and 311.



SCHEME
STANDARD DETAIL SHEETS



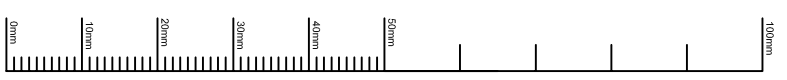
DRAWING
FOOTWAY EDGING
DETAILS

This detail is controlled by Birmingham City Council. Email - Transport.Projects@Birmingham.gov.uk

DATE	REV.	REVISIONS	DRN	PM	REVISION
2013	E	DETAILS & FRAME AMENDED	DH	PP	
2009	D	NOTES AMENDED	CCH	MM	
2004	C	NOTES AMENDED	-	AJO	
2003	B	NOTES AMENDED	-	BSK	
2002	A	BORDER & TITLE AMENDED	-	AJO	
2000	-	ORIGINAL DRAWING CREATED	SRE	AJO	

DATE	REV.	REVISIONS	DRN	PM	REVISION
			DRN	PM	
			DRN	PM	

DWG. No
HW/11.03



A3

